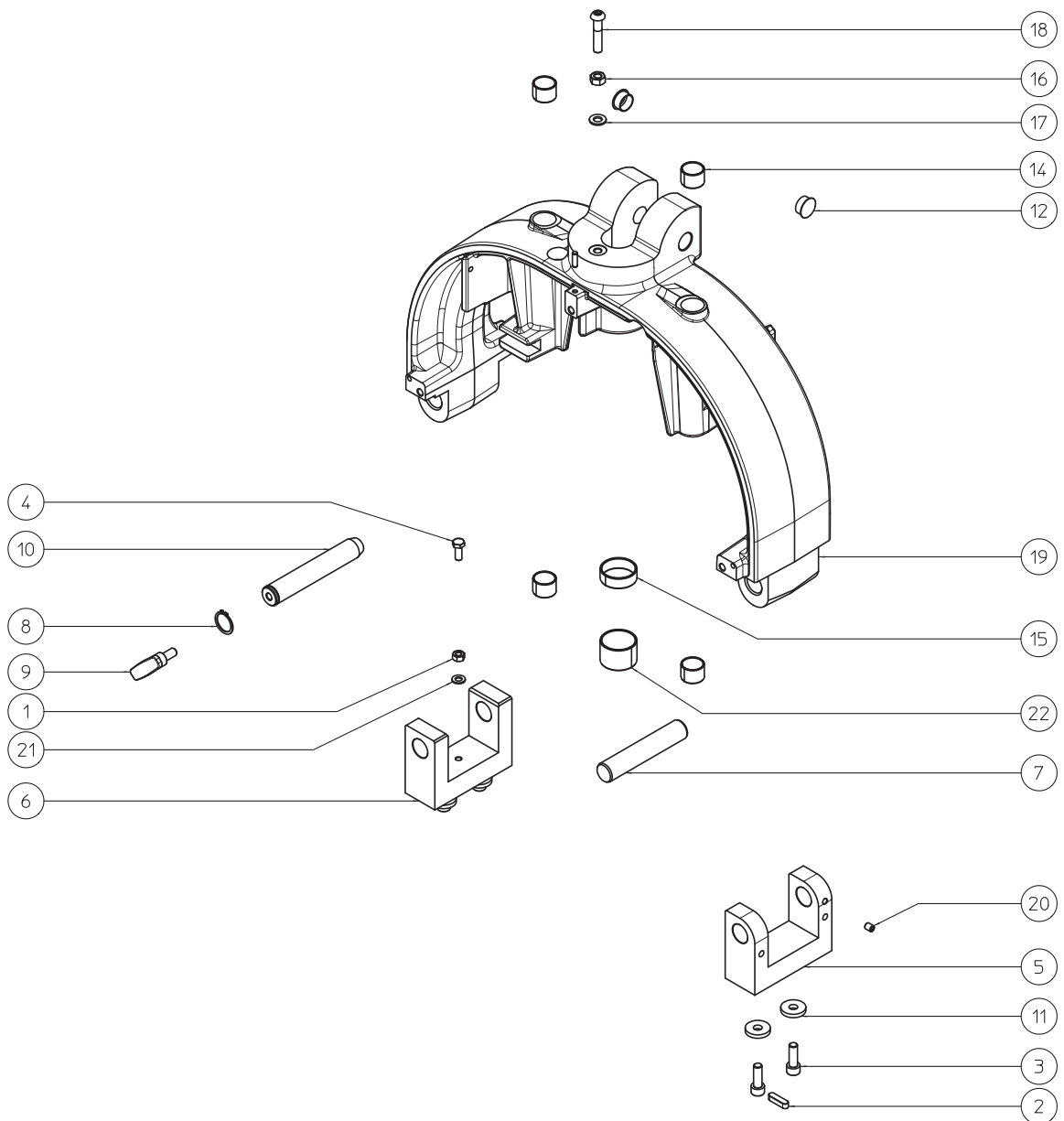


SPARE PARTS MSRS

 KNIFE SUPPORT GROUP **COD. SP000003**



MADE IN ITALY

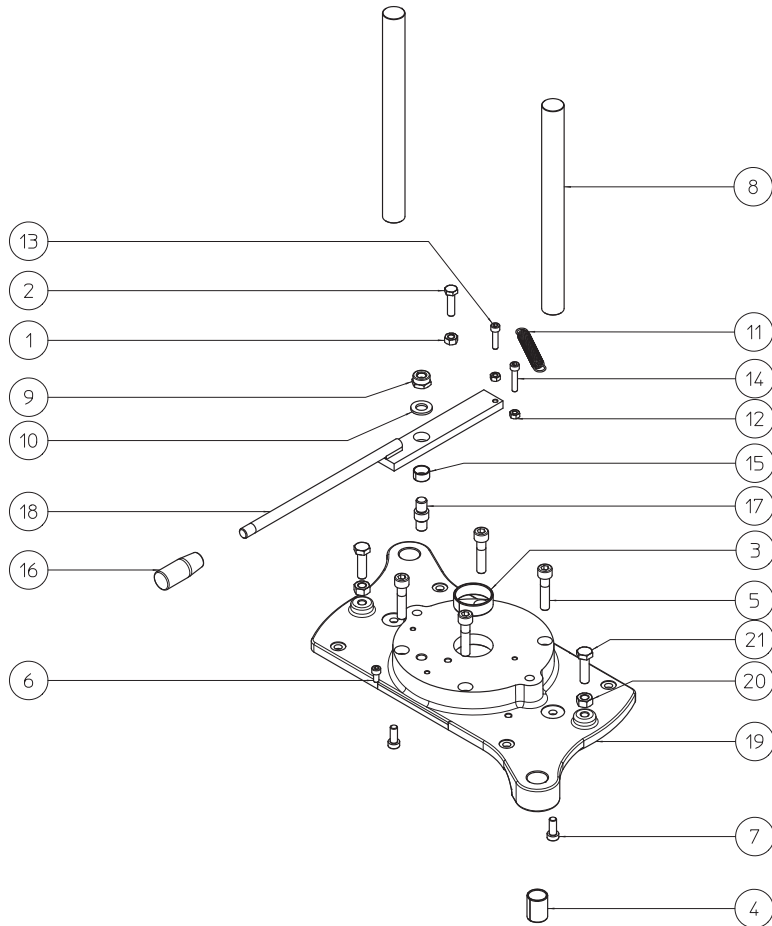
SPARE PARTS MSRS

KNIFE SUPPORT GROUP **COD. SP000003** 

POSITION	QUANTITY	CODE	DESCRIPTION
1	1	30040801	NUT M8 INOX.
2	2	22620830	KEY 8X7X30 mm
3	4	69161030	SCREW TCEI M10X30 ZINC.
4	1	69260820	SCREW TE M8X20 INOX
5	1	61900011	DX SUPPORT
6	1	61900012	SX SUPPORT
7	1	11900001	FIXED PIN D.25X130
8	1	14130025	SEEGER RING D.25
9	1	65850002	ROD M10X20
10	1	11900002	MOBILE PIN D.25X150
11	4	59091030	WASHER D.10X30 SP. 5 ZINC.
12	2	64920002	PLUG D.22
13	1	63030620	PLUG D.6X20
14	4	18062520	LATCH INSERT KU 25 20
15	1	18064015	LATCH INSERT KU 40 15
16	1	30041001	NUT M10 INOX.
17	1	59161021	WASHER D.10 INOX
18	1	69291050	SCREW TCBEI M10X50 INOX
19	1	61900045	CUTTING SUPPORT GROUP
20	1	37050810	SCREW STEI M8X10 INOX
21	1	59160816	WASHER D.8 INOX
22	1	18064030	LATCH INSERT KU 40 30

SPARE PARTS MSRS

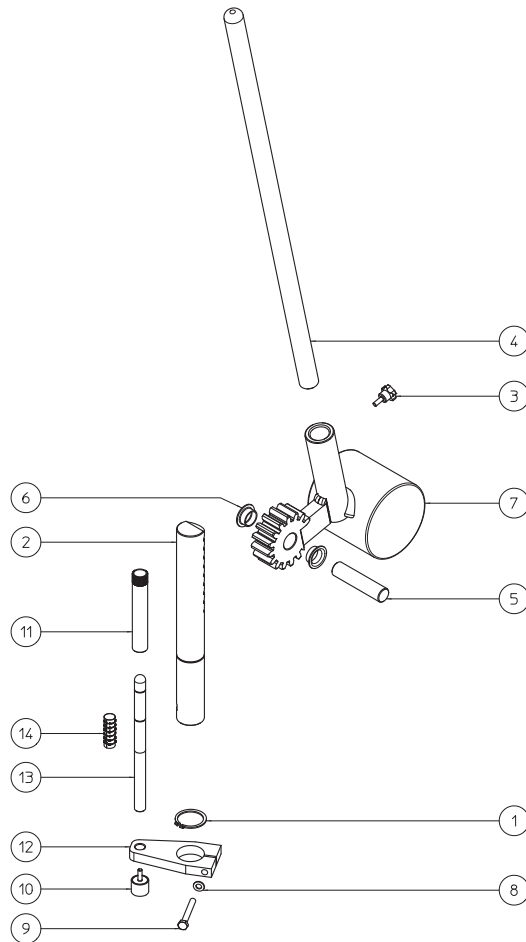
HEAD PLATE GROUP **COD. PT0000003**



POSITION	QUANTITY	CODE	DESCRIPTION
1	1	30040801	NUT M8 INOX
2	1	69260830	SCREW TE M8X30 INOX
3	1	18064015	LATCH INSERT KU 40 15
4	2	18062030	LATCH INSERT KU 20 30
5	4	69281045	SCREW TCEI M10X45 INOX
6	1	69280612	SCREW TCEI M6X12 INOX
7	2	69170820	SCREW TCEI M8X20 ZINC.
8	2	14800013	ROD GUIDE D.16X180
9	1	30101201	SELFLOCKING NUT M12 INOX.
10	1	59161224	WASHER D.12 INOX
11	1	44836316	SPRING
12	2	30040601	NUT M6 INOX
13	1	69280625	SCREW TCEI M6X25 INOX
14	1	69280630	SCREW TCEI M6X30 INOX
15	1	18061610	LATCH INSERT KU 16 10
16	1	43710003	HANDLE
17	1	49410012	PIN FOR RELEASE LEVER
18	1	42310005	CUTTING RELEASE LEVER
19	1	49450002	HEAD PLATE

SPARE PARTS MSRS

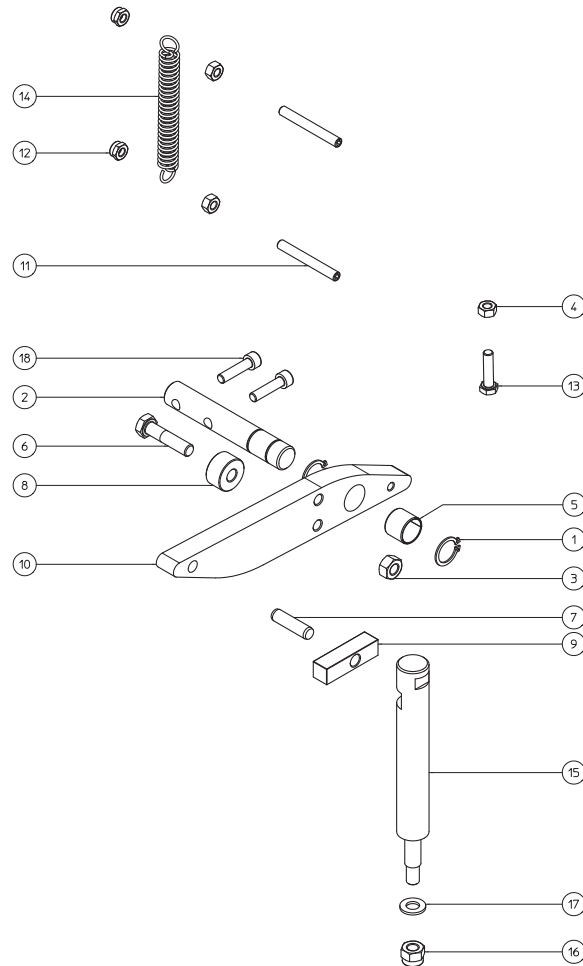
OPERATE KNIFE GROUP **COD. AZ000014**



POSITION	QUANTITY	CODE	DESCRIPTION
1	1	14130040	SEEGER RING D.40
2	1	28850002	RACK SHAFT
3	1	69410001	HANDWHEEL M6X10
4	1	42310007	LEVER
5	1	49410007	PIN SUPPORT
6	2	18072210	LATCH INSERT KF 22 10
7	1	61900036	LEVER SUPPORT
8	1	59160816	WASHER D.8 INOX
9	1	69260860	SCREW TE M8X60 INOX
10	1	14542520	ANTI VIBRATING D.25X20 M6
11	1	47250002	
12	1	61900008	SUPPORT LIMIT
13	1	14800011	ADJUSTMENT ROD
14	1	11100018	STICKER

SPARE PARTS MSRS

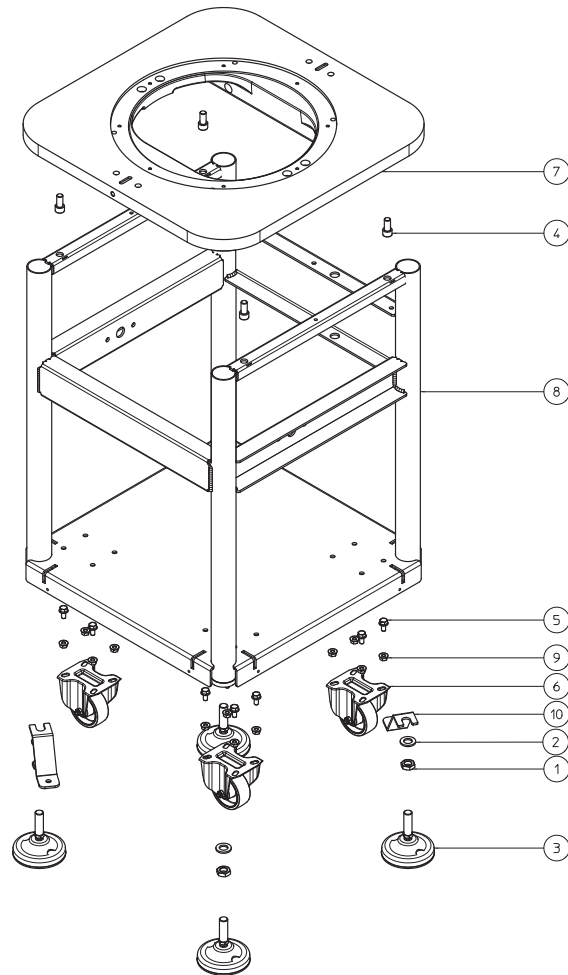
OPERATE RING GROUP COD. AZ000013



POSITION	QUANTITY	CODE	DESCRIPTION
1	2	14130016	SEEGER RING D.16
2	1	49410036	PIN LEVER ROLLER
3	1	30040801	NUT M8 INOX
4	3	30040601	NUT M6 INOX
5	1	18061615	LATCH INSERT KU 16 15
6	1	69260835	SCREW TE M8X35 INOX
7	1	63030830	PLUG D.8X30
8	1	59720003	LEVER ROLLER
9	1	39120002	SLIDING SHOE 12X12X45
10	1	42310024	LEVER RING
11	2	37050650	SCREW STEI M6X50 INOX
12	2	30100601	SELFLOCKING NUT M6 INOX.
13	1	69260625	SCREW TE M6X25INOX
14	1	44836316	SPRING
15	1	14800012	ROD
16	1	30080802	SELFLOCKING NUT M8 INOX.
17	1	59160816	WASHER D.8 INOX
18	2	69280625	SCREW TCEI M6X25 INOX

SPARE PARTS MSRS

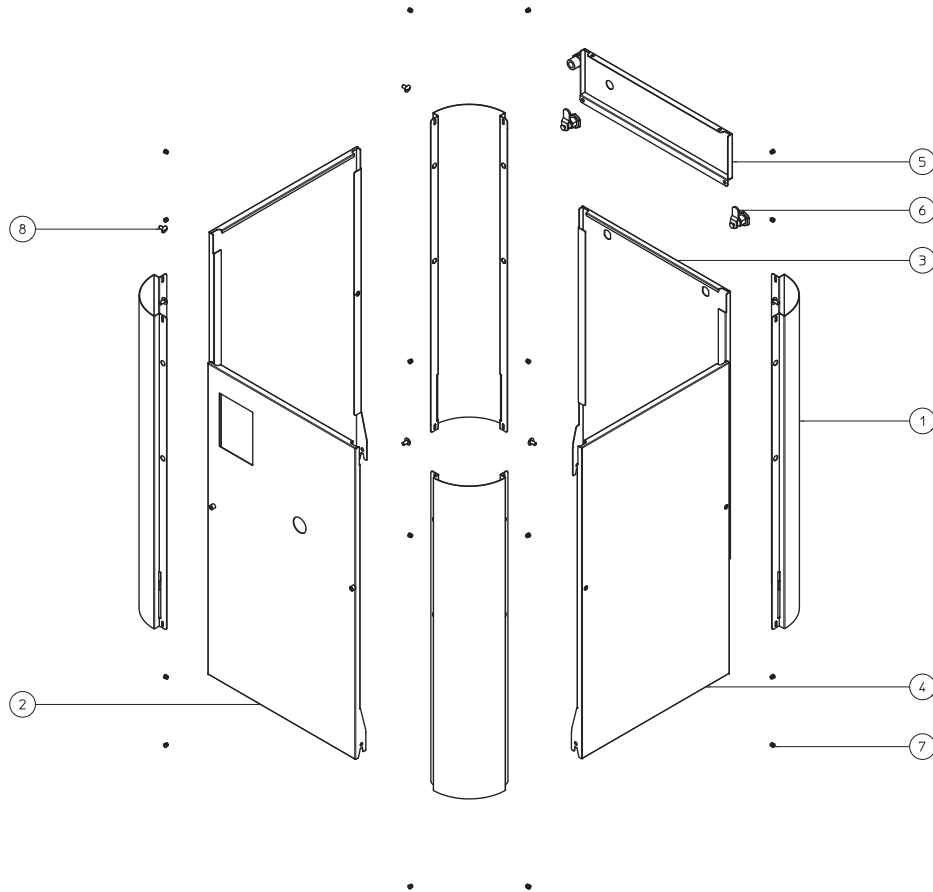
FRAME GROUP COD. TL000007



POSITION	QUANTITY	CODE	DESCRIPTION
1	4	30141601	NUT M16 ZINC.
2	4	59151630	WASHER D.16 ZINC.
3	4	50050903	NON-SLIP FOOT
4	4	69161225	SCREW TCEI M12X45 ZINC.
5	16	69230816	SCREW TE M8X16 ZINC.
6	4	59860014	WHEEL D.80X30 FIX
7	1	35200002	SEMIAUTOMATIC HEAD PLATE
8	1	60010042	FRAME
9	16	30210801	NUT M8 ZINC.
10	2	61880004	FIXING BRACKET

SPARE PARTS MSRS

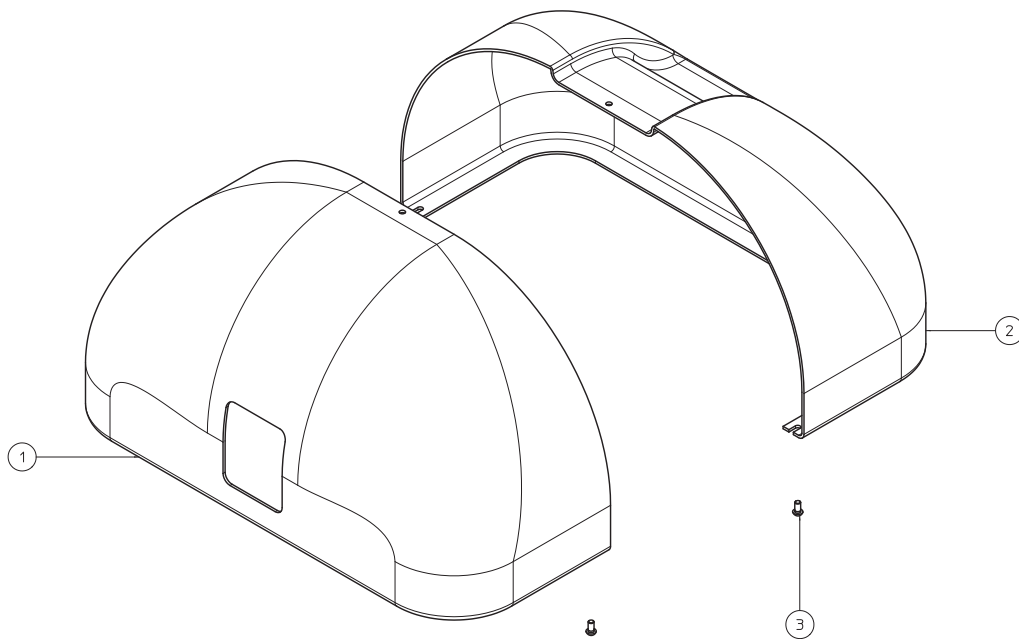
■ CASING GROUP **COD. CR000009**



POSITION	QUANTITY	CODE	DESCRIPTION
1	4	20120331	ANGULAR PANNEL
2	1	20120284	FRONT PANNEL
3	1	20120285	REAR PANNEL
4	2	20120286	LATERAL PANNEL
5	1	20120287	POWER SUPPLY PANNEL
6	2	22803621	LOCK
7	17	58250410	ALUMINUM RIVET
8	6	69100612	SCREW POELIERS M6X12 ZNT

SPARE PARTS MSRS

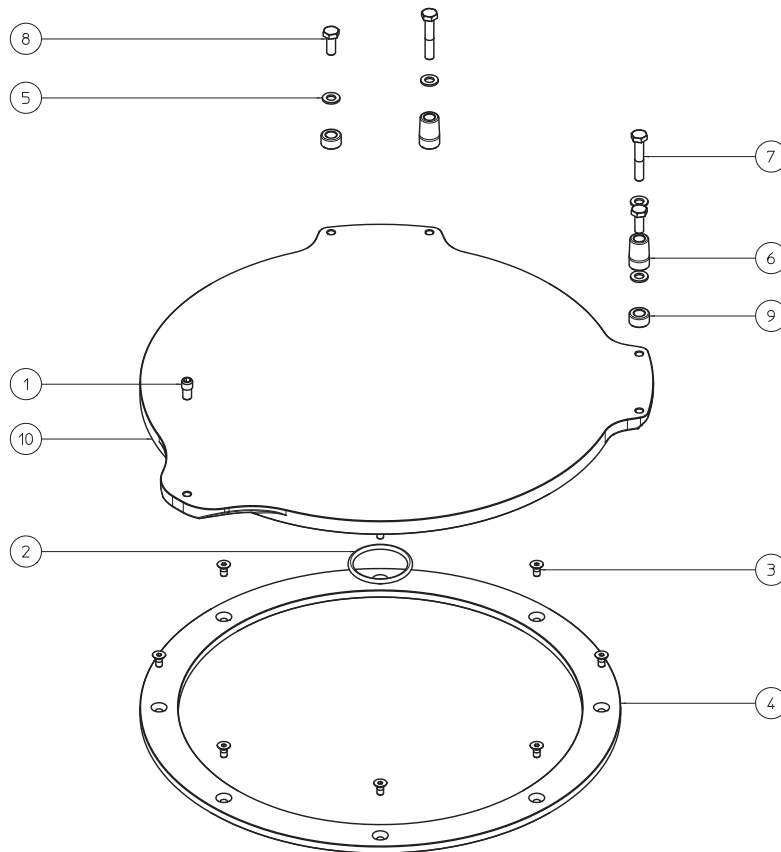
KNIFE SAFTY GROUP **COD. RP000007**



POSITION	QUANTITY	CODE	DESCRIPTION
1	1	65610003	FRONT PROTECTION
2	1	65610004	REAR PROTECTION
3	4	69290612	SCREW TCBEI M6X12 INOX

SPARE PARTS MSRS

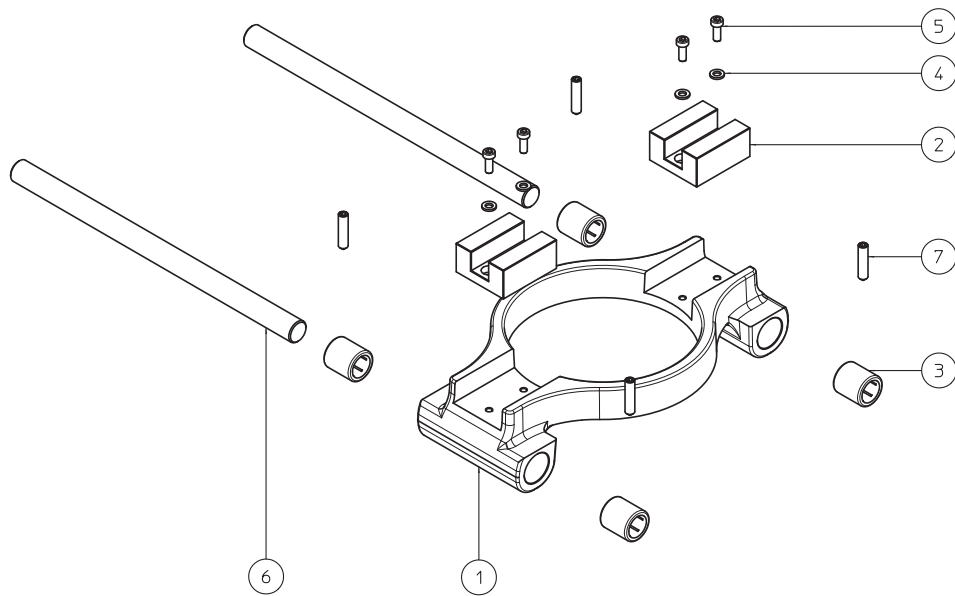
ROUNDING PLATE GROUP COD. PT000001



POSITION	QUANTITY	CODE	DESCRIPTION
1	1	69010002	PIN
2	1	38696200	SEAL OR 6200
3	8	69240612	SCREW TSPEI M6X12 ZINC.
4	1	50850022	RING
5	4	59160816	WASHER D.8 INOX
6	2	59720016	STOPPER
7	2	69260845	SCREW TE M8X45 INOX
8	2	69260820	SCREW TE M8X20 INOX
9	2	59720017	STOPPER
10	1	49450001	ROUNDING PLATE

SPARE PARTS MSRS

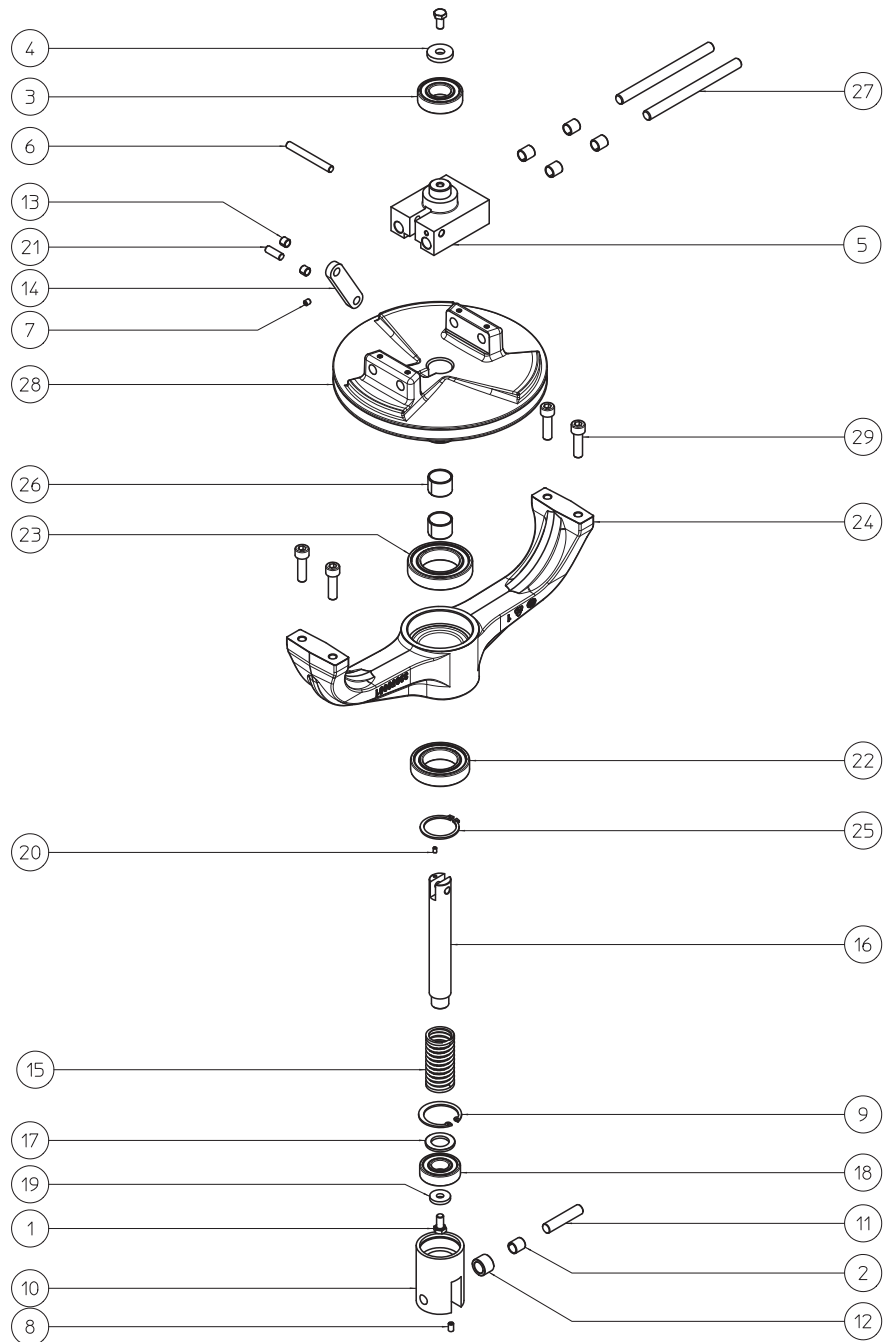
SLIDING TROLLEY GROUP **COD. CL000003**



POSITION	QUANTITY	CODE	DESCRIPTION
1	1	20150002	SLIDING TROLLEY
2	2	37500002	SHOE GUIDE
3	4	43602030	SLIDING SLEEVE WITH SPHERES
4	4	59150612	WASHER D.6 ZINC.
5	4	69170616	SCREW TCEI M6X16 ZINC.
6	2	11900015	PIN HOLDER
7	4	37030835	SCREW STEI M8X35

SPARE PARTS MSRS

SEMI-AUTOMATIC PULLEY GROUP **COD. PL000004**



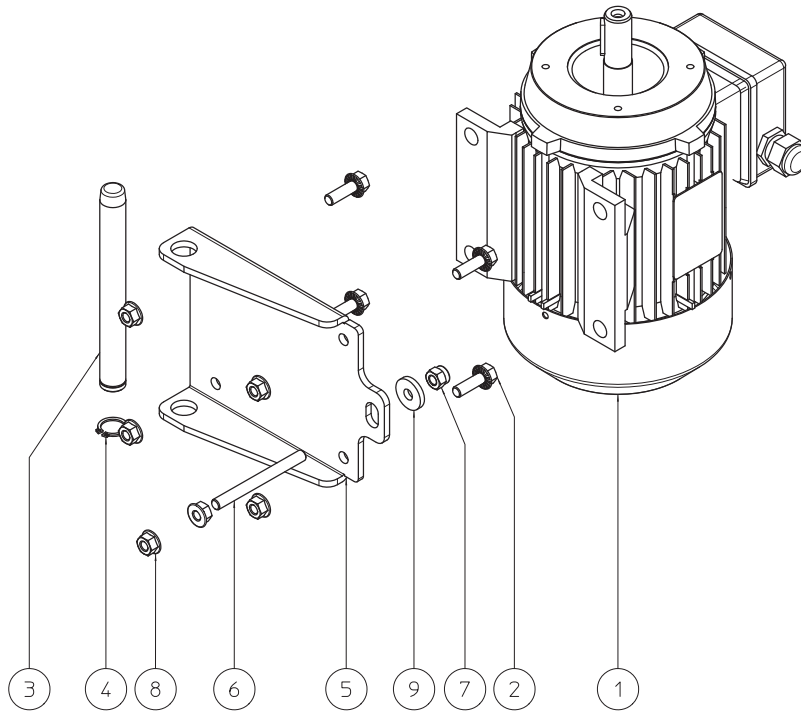
SPARE PARTS MSRS

SEMI-AUTOMATIC PULLEY GROUP **COD. PL000004** 

POSITION	QUANTITY	CODE	DESCRIPTION
1	2	69200816	SCREW TE M8X16 ZINC.
2	5	18061215	LATCH INSERT KU 12 15
3	1	29292552	BEARING NTN 6205 2RS
4	1	59091030	WASHER D.10X30 SP. 5 ZINC.
5	1	20140002	CAM SCROLLING FLANGE
6	1	49410870	TOP PIN D.8X70
7	5	37010606	SCREW STEI M6X6
8	1	37010610	SCREW STEI M6X10
9	1	14120047	SEEGER RING D.47
10	1	33800014	FLANGE FOR FORK
11	1	49411255	FORK PIN D.12X55
12	1	59720005	FORK ROLLER
13	2	18060808	LATCH INSERT KU 08 08
14	1	16500001	CONNECTING ROD
15	1	44790003	SPRING
16	1	11800001	CAM CONTROL PIN
17	1	20100422	WASHER
18	1	29292047	BEARING NTN 6204 2RS
19	1	59090824	WASHER D.8X24 SP. 4
20	1	37010406	SCREW STEI M4X6
21	1	49410824	LOWER PIN D.8X23
22	1	29294068	BEARING NTN 6008 2RS
23	1	29294575	BEARING NTN 6009 2RS
24	1	33850001	FLANGE FOR PULLEY
25	1	14130040	SEEGER RING D.40
26	2	18062520	LATCH INSERT KU 25 20
27	2	11900014	PIN HOLDER D.12X150
28	1	53410003	PULLEY
29	4	69161035	SCREW TCEI M10X35 ZINC.

SPARE PARTS MSRS

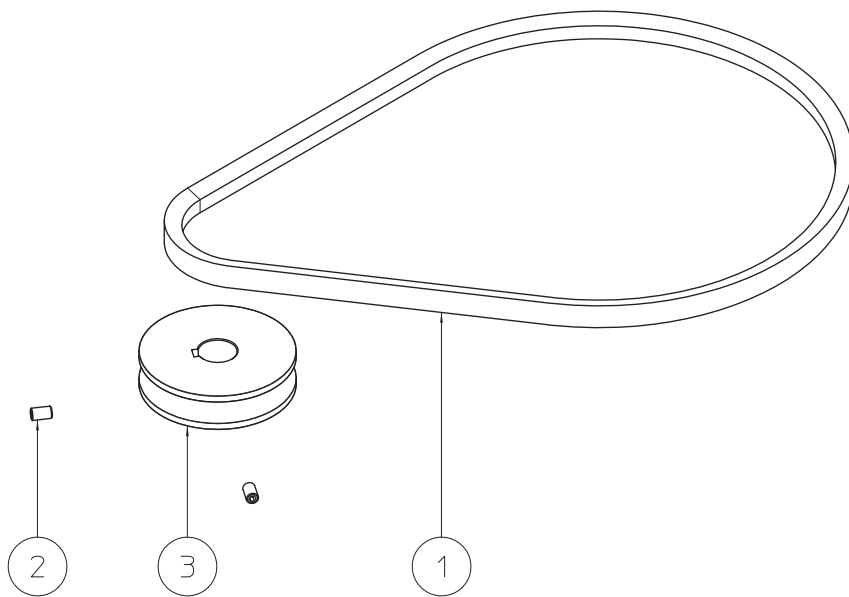
■ MOTOR GROUP **COD. MT000001**



POSITION	QUANTITY	CODE	DESCRIPTION
1	1	45205580	MOTOR KW 0,55 6 POLI B3 220/380/50/60 (STANDARD) THREE PHASES
1	1	45120003	MOTOR KW 0,45 6 POLI B3 220/60 UL/CSA MONO PHASES
1	1	45150003	MOTOR KW 0,45 6 POLI B3 110/60 UL/CSA MONO PHASES
1	1	45225580	MOTOR KW 0,55 6 POLI B3 220/380/60 UL/CSA THREE PHASES
2	4	69230825	SCREW TE M8X25 ZINC.
3	1	49410005	MOTOR PIN
4	1	14130018	SEEGER RING D.18
5	1	20120221	MOTOR FIXING SHELF
6	1	14870895	THREADED BAR M8X85 ZINC.
7	1	30080801	NUT M8 ZINC.
8	6	30210801	NUT M8 ZINC.
9	1	59090824	WASHER D.8X24 SP. 4

SPARE PARTS MSRS

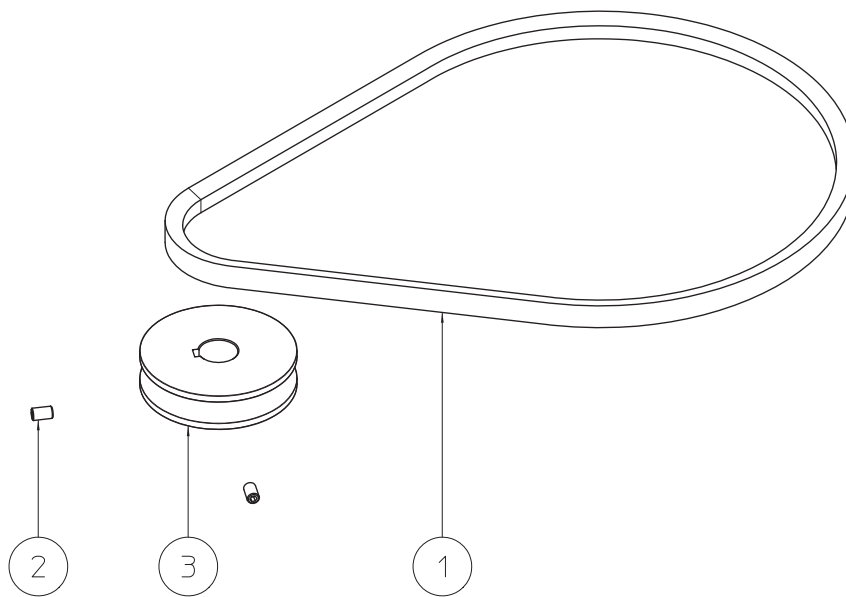
50 Hz PULLEY GROUP **COD. PL000006**



POSITION	QUANTITY	CODE	DESCRIPTION
1	1	24100034	BELT A37 1/2
2	2	37010610	SCREW STEI M6X10
3	1	53410004	PULLEY 71X1A (50 Hz)

SPARE PARTS MSRS

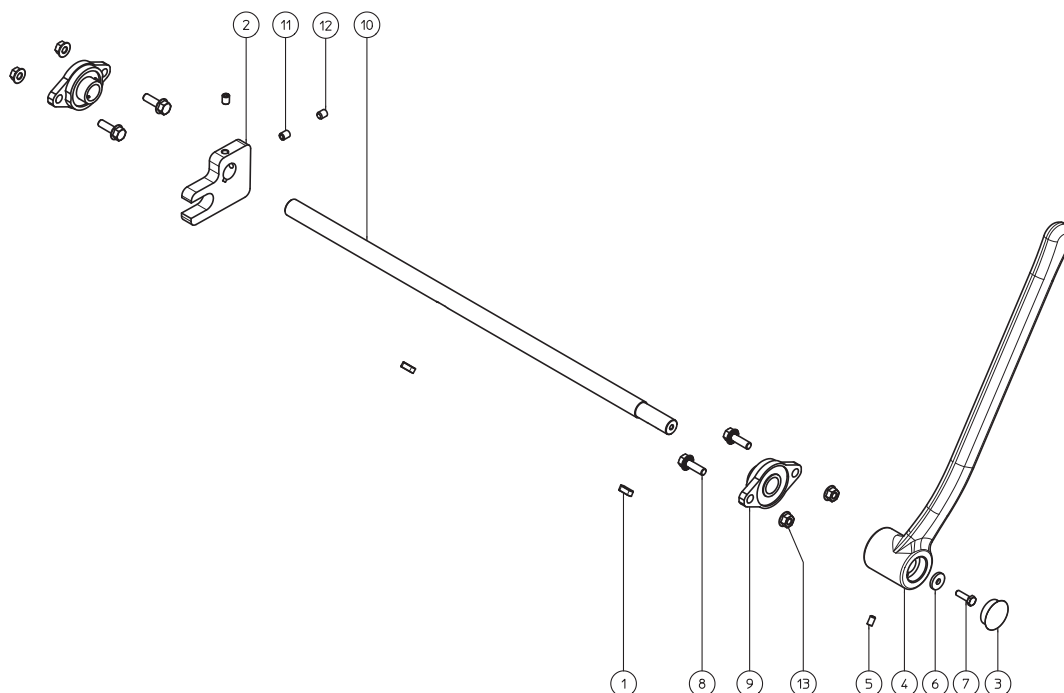
 60 Hz PULLEY GROUP **COD. PL000008**



POSITION	QUANTITY	CODE	DESCRIPTION
1	1	24100034	BELT A37 1/2
2	2	37010610	SCREW STEI M6X10
3	1	53410002	PULLEY 60X1A (60 Hz)

SPARE PARTS MSRS

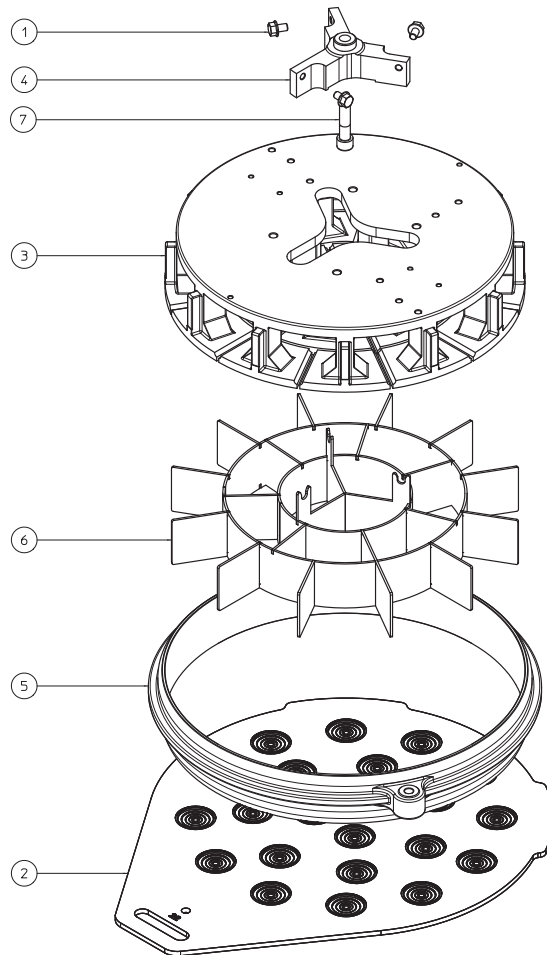
ROUNDING LEVER GROUP **COD. AZ000011**



POSITION	QUANTITY	CODE	DESCRIPTION
1	2	22620618	KEY 6X6X18 mm
2	1	34010002	FORK
3	1	64920001	PLUG D.30
4	1	42310022	LEVER
5	1	37010610	SCREW STEI M6X10
6	1	59090620	WASHER D.6X20 SP.3
7	1	69200620	SCREW TE M6X20 ZINC.
8	4	69230825	SCREW TE M8X25 ZINC.
9	2	62180004	FLANGE SUPPORT D.20 UFL 004
10	1	49410033	PIN LEVER ROLLER
11	2	37010810	SCREW STEI M8X10
12	1	37040810	SCREW STEI M8X10
13	4	30210801	NUT M8 ZINC.

SPARE PARTS MSRS

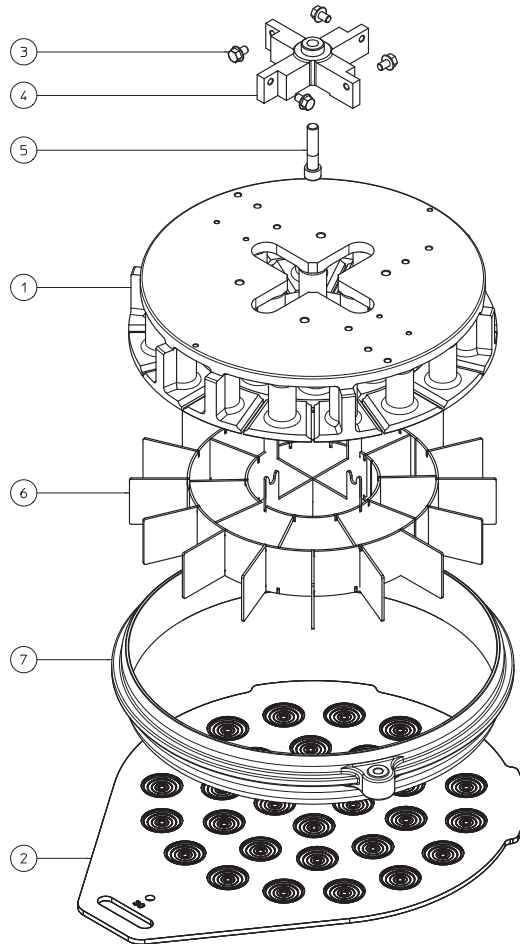
 22 DIV. KNIFE GROUP **COD. TG000004**



POSITION	QUANTITY	CODE	DESCRIPTION
1	3	69210812	SCREW TE M8X12 ZINC.
2	3	49800022	PLATE 22 DIV.
3	1	65200022	HEAD 22 DIV.
4	1	61900007	SUPPORT
5	1	13900003	HEAD RING D.400
6	1	60040027	KNIFE 22 DIV.
7	1	69161250	SCREW TCEI M12X50 ZINC.

SPARE PARTS MSRS

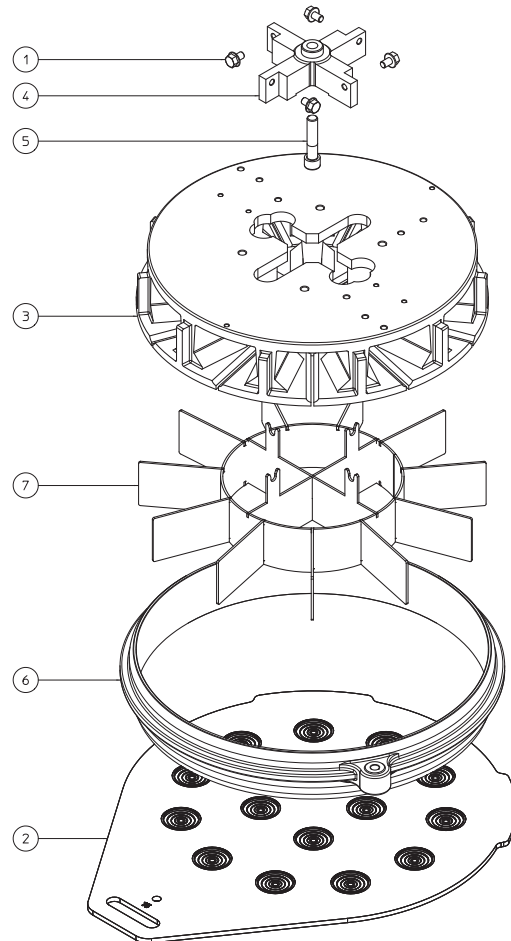
30 DIV. KNIFE GROUP **COD. TG000001**



POSITION	QUANTITY	CODE	DESCRIPTION
1	1	65200030	HEAD 30 DIV.
2	3	49800030	PLATE 30 DIV.
3	4	69210812	SCREW TE M8X12 ZINC.
4	1	61900005	SUPPORT
5	1	69161250	SCREW TCEI M12X50 ZINC.
6	1	60040029	KNIFE 30 DIV.
7	1	13900003	HEAD RING D.400

SPARE PARTS MSRS

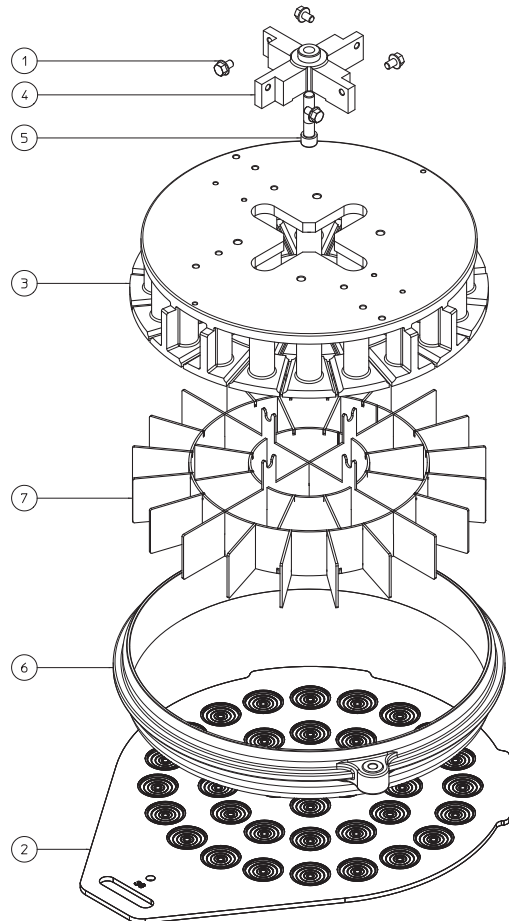
15 DIV. KNIFE GROUP **COD. TG000007**



POSITION	QUANTITY	CODE	DESCRIPTION
1	4	69210812	SCREW TE M8X12 ZINC.
2	3	49800015	PLATE 15 DIV.
3	1	65200015	HEAD 15 DIV.
4	1	61900005	SUPPORT
5	1	69161250	SCREW TCEI M12X50 ZINC.
6	1	13900003	HEAD RING D.400
7	1	60040026	KNIFE 15 DIV.

SPARE PARTS MSRS

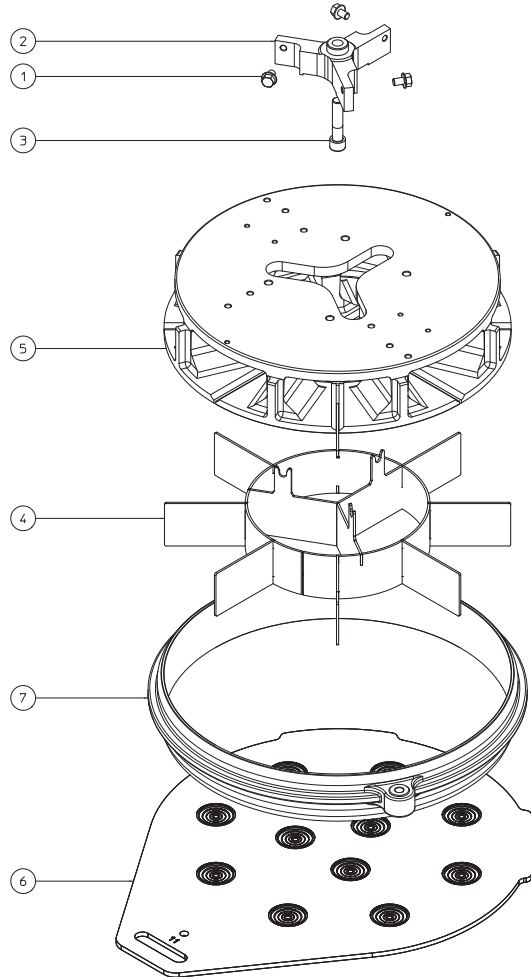
36 DIV. KNIFE GROUP **COD. TG000009**



POSITION	QUANTITY	CODE	DESCRIPTION
1	4	69210812	SCREW TE M8X12 ZINC.
2	3	49800036	PLATE 36 DIV.
3	1	65200036	HEAD 36 DIV.
4	1	61900005	SUPPORT
5	1	69161250	SCREW TCEI M12X50 ZINC.
6	1	13900003	HEAD RING D.400
7	1	60040030	KNIFE 36 DIV.

SPARE PARTS MSRS

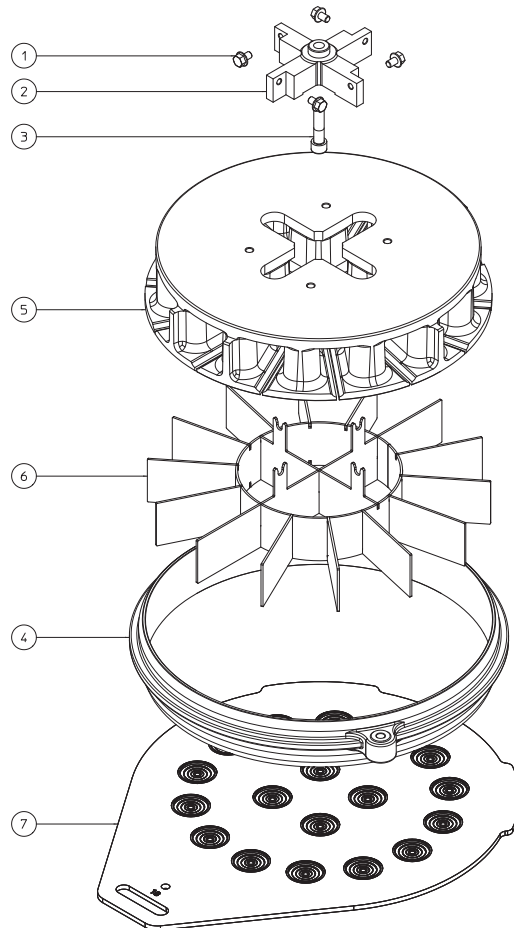
11 DIV. KNIFE GROUP **COD. TG000015**



POSITION	QUANTITY	CODE	DESCRIPTION
1	3	69210812	SCREW TE M8X12 ZINC.
2	1	61900007	SUPPORT
3	1	69161250	SCREW TCEI M12X50 ZINC.
4	1	60040098	KNIFE 11 DIV.
5	1	65200011	HEAD 11 DIV.
6	3	49800011	PLATE 11 DIV.
7	1	13900003	HEAD RING D.400

SPARE PARTS MSRS

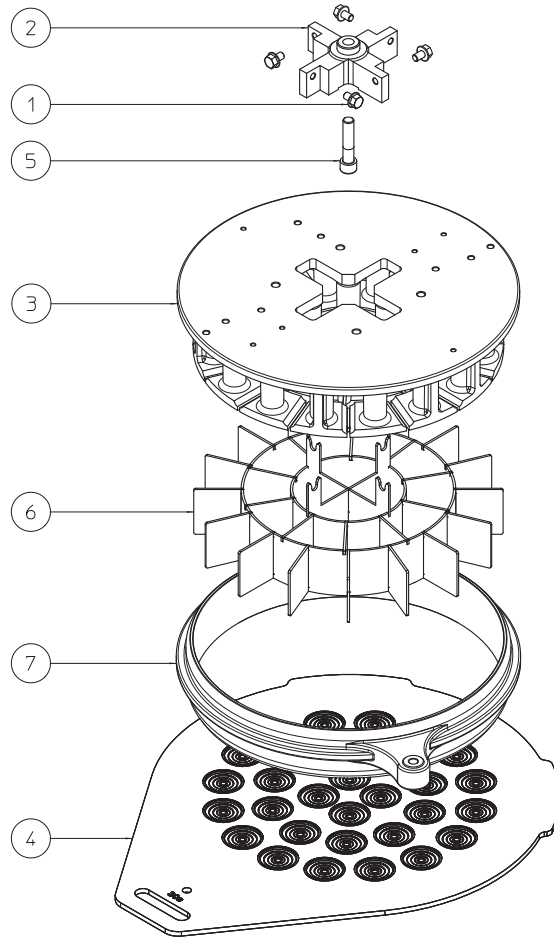
18 DIV. KNIFE GROUP **COD. TG000018**



POSITION	QUANTITY	CODE	DESCRIPTION
1	4	69210812	SCREW TE M8X12 ZINC.
2	1	61900005	SUPPORT
3	1	69161250	SCREW TCEI M12X50 ZINC.
4	1	13900003	HEAD RING D.400
5	1	65200018	HEAD 18 DIV.
6	1	60040133	KNIFE 18 DIV.
7	3	49800018	PLATE 18 DIV.

SPARE PARTS MSRS

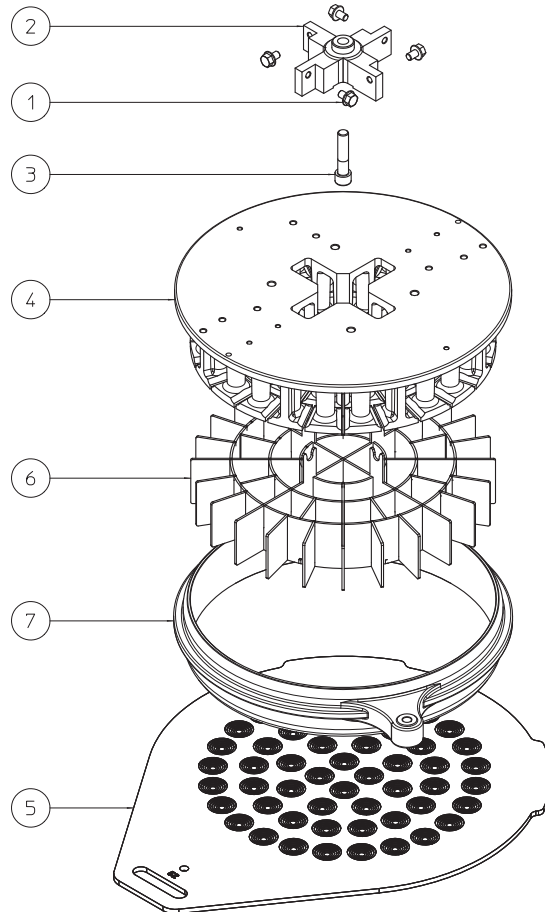
30s DIV. KNIFE GROUP **COD. TG000011**



POSITION	QUANTITY	CODE	DESCRIPTION
1	4	69210812	SCREW TE M8X12 ZINC.
2	1	61900006	SUPPORT
3	1	65200130	HEAD 30s DIV.
4	3	49800130	PLATE 30s DIV.
5	1	69161250	SCREW TCEI M12X50 ZINC.
6	1	60040028	KNIFE 30s DIV.
7	1	13900004	HEAD RING D.340

SPARE PARTS MSRS

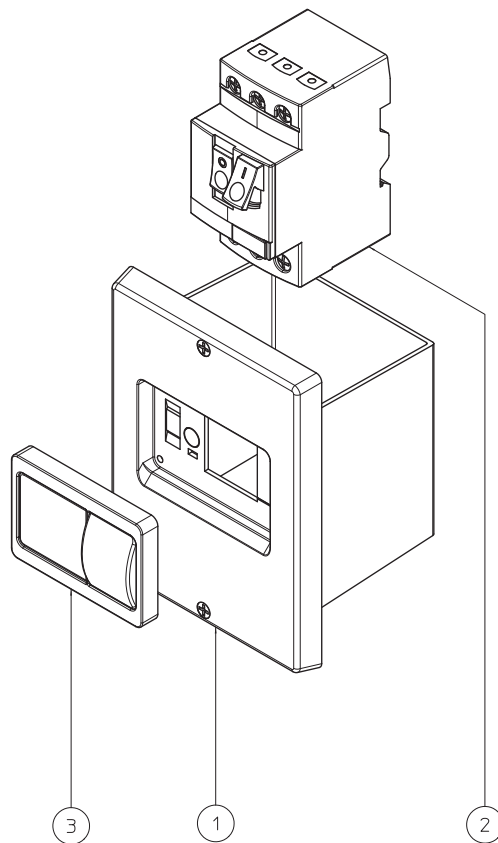
52 DIV. KNIFE GROUP COD. TG000012



POSITION	QUANTITY	CODE	DESCRIPTION
1	4	69210812	SCREW TE M8X12 ZINC.
2	1	61900006	SUPPORT
3	1	69161250	SCREW TCEI M12X50 ZINC.
4	1	65200052	HEAD 52 DIV.
5	3	49800052	PLATE 52 DIV.
6	1	60040031	KNIFE 52 DIV.
7	1	13900004	HEAD RING D.340

SPARE PARTS MSRS

■ ELECTRICAL GROUP



MADE IN ITALY

POSITION	QUANTITY	CODE	DESCRIPTION
1	1	53800004	ELECTRICAL BOX
2	1	53800012	MOTOR PROTECTION 230/3/50-60 VOLT 2,5-4 A
2	1	53800011	MOTOR PROTECTION 400/3/50-60 VOLT 1,6-2,5A
2	1	53800064	MOTOR PROTECTION 230/1/50-60 VOLT 4-6,3 A
2	1	53800067	MOTOR PROTECTION 110/1/50-60 VOLT 9-14 A
3	1	53800020	PROTECTION